

ANYSHOP® PRIME

Power and Style at Your Space™

- High-End POS System with Alluring Style
- Robust Performance with the 4th Generation Intel® Processors
- Bezel-free True-Flat 15" and 17" LED LCD Display with PCAP Touch
 - Tool-less Design for Rapid Installation and Easy Maintenance
 - Color Customization



Features & Benefits



Serve Your Customers Faster

- Intel® Core™ Haswell Processors i3, i5, i7 (Fanless)
- Intel® Celeron™ J1900 Quad-Core Processor (Fanless)



Make It Easy for Your Staffs

- Bezel-Free 15" and 17" LED LCD Display
- PCAP Touch Activated with Fingers and Gloves



Make Your Business Look More Attractive

- Sleek and Elegant Design
- Enhance and Differentiate Store Image



Reduce Your Cost

- Tool-less Design for Rapid Installation
- Service, Maintenance and Upgrade with Ease



Get Extra Peace of Mind

- Optional Smart Battery for UPS
- Protection from Data Loss and System Damage



Create Your Own Colors

- Optional Color Customization
- Various Colors for Your Business Needs

Specifications

General Specifications		Model : Qs(Q3/Q4/Q5), J19
System		
CPU	Q3	Intel® Core™ i3-4100M Processor (3M Cache, 2.40 GHz) / Fanless
	Q4	Intel® Core™ i5-4210M Processor (3M Cache, up to 3.20 GHz) / Fanless
	Q5	Intel® Core™ i7-4600M Processor (4M Cache, up to 3.60 GHz) / Fanless
	J19	Intel® Celeron™ J1900 (2.0 GHz) Quad-Core Processor / Fanless
Chipset	Qs	Intel® HM87 (Co-Lay QM87)
	J19	Intel® Bay Trail
Storage	Qs	SATA 3 (6Gb/s) 2.5 inch SSD 64GB, Support AHCI
	J19	SATA 2 (3Gb/s) 2.5 inch SSD 64GB, Support AHCI
Memory	Qs	2GB Standard (Max. 16GB) Type : DDR3L with 1066 or 1333 MT/s / Socket 1 x SODIMM (Max. 2 Optional)
	J19	2GB Standard (Max. 8GB) Type : DDR3L with 1066 or 1333 MT/s / Socket 2 x SODIMM
	Qs	RAID 0, 1 support
RAID	J19	-
Graphics Controller	Integrated Intel GMA HD	
Audio	2 x 0.8W Stereo Speaker	
LCD Display		
Size / Type	15" TFT LED Backlight	
Resolution	1024 x 768	
Luminance	250 cd/m ² (typ.)	
Touch Screen		
Type	Projective Capacitive Touch	
Controller Interface	USB Interface	
I/O Interface		
Display Port	1 x VGA	
USB Port	Qs	8 (Rear 6 = USB 3.0 x 4 Ports, USB 2.0 x 2 Ports, Side 2 = USB 2.0 x 2 Ports)
	J19	8 (Rear 6 = USB 3.0 x 1 Port, USB 2.0 x 5 Ports, Side 2 = USB 2.0 x 2 Ports)
PS / 2 Port	1	
Serial Port	3 (COM 1 ~ 3 with 5V/12V power output on 9pins)	
Ethernet Port	2 x RJ-45	
Audio	1 x Line-out, 1 x Mic-in	
Power DC-IN	Qs	1 (3pins connector)
	J19	1 (4pins connector)

Power Requirement		
Adapter Input	Qs	Adaptor 24V, 5A
	J19	Adaptor 12V, 5A
OS Support		
OS	Windows 7, Windows 8.1, POS Ready 7	
Mechanical & Environmental		
Operating Temperature	0°C ~ 50°C at 10% ~ 90% humidity	
Storage Temperature	-20°C ~ 80°C at 10% ~ 90% humidity	
Dimensions (W x H x D)	365 x 305 x 385 (mm), 14.3 x 15 x 11.2 (inch)	
Net Weight	7,500g	
Packing Dimension (W x H x D)	380 x 480 x 420 (mm), 15.0 x 18.9 x 16.5 (inch)	
Packing Weight	10,000g	
Certification	CE, FCC, KC	

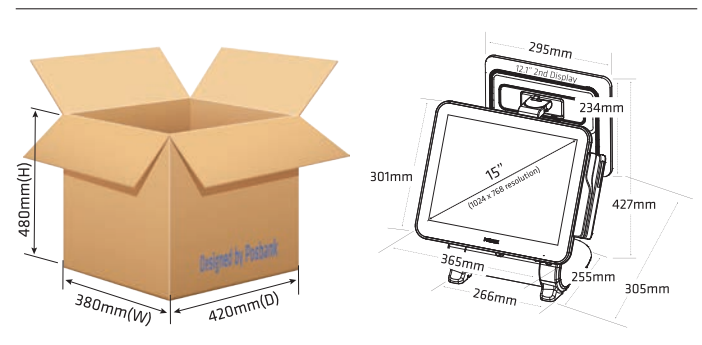
Optional Configuration	
LCD Display	17" TFT LED Backlight (1280 x 1024 Resolution)
Touch Screen	5-wired Resistive Touch Screen
	2.5 inch SSD 128GB
	2.5 inch HDD 500GB
Storage	2.5 inch HDD 1TB
	2nd 2.5 inch SSD 64GB
	2nd 2.5 inch SSD 128GB
2nd Storage	2nd 2.5 inch HDD 500GB
	2nd 2.5 inch HDD 1TB
I/O Expansion	1 x Cash Drawer Port (RJ11 6pins)
Customer Display (CDP)	VFD (20 columns x 2 lines)
2nd Display	9.7" 2nd LCD (1024 x 768 Resolution)
	12.1" 2nd LCD (1024 x 768 Resolution)
	15" 2nd LCD (1024 x 768 Resolution)
Magnetic Stripe Reader	MSR : Comply with ISO 7811, Support 1 & 2 & 3 track
Smart Card Reader	SCR : EMV level 1, 2
Dallas	Dallas I-button Reader
Battery	Smart Battery : 3S1P 2050mAh
	Smart Battery : 4S1P 2050mAh
Color	Custom Colors Available

*Specifications may change without prior notice.

Options



Dimension View



POSBANK®

Headquarters

#805~808, 108, Gasan digital 2-ro,
Geumcheon-gu, Seoul, 08506, South Korea
Tel : +82-2-2626-9118
Fax : +82-2-2626-9119
e-mail : sales@posbank.com
www.posbank.com

US

California : 1230 East 223rd Street, Suite #204
Carson, CA 90745
New York : 75 Fairchild Ave. Plainview
New York 11803
Tel : +1-888-998-1767 ext. 103~104
Fax : +1-310-513-1362
e-mail : sales@posbankusa.com
www.posbankusa.com

Europe

Via Piersanti Mattarella, 32, 30030, Gardigiano,
Venezia, Italy
Tel : +39-041-583-0594
Fax : +39-041-583-0595
e-mail : sales@posbank.eu
www.posbank.eu

Copyright © 2015 Posbank Co.,Ltd.

Posbank and the Posbank logo are trademarks of Posbank in the United States and other countries. All trademarks are the property of their respective owners. Intel, Celeron, Core are registered trademarks of Intel Corporation in the U.S. and other countries. Microsoft, Windows 7, Windows 8.1 and POS Ready 7 are registered trademarks of Microsoft Corporation in the U.S. and other countries. Posbank shall not be liable for technical or editorial errors or omission contained herein. The information in this publication are informational purposes only and may be altered or amended by Posbank. All statements regarding Posbank's direction and intent are subject to change or withdraw without notice. Specifications may change without prior notice.